

ACID SCRUBBER

PRODUCT DATA SHEET—109

Continuous acid removal

For use with process gas sampling systems

Introduction

The Neutronics Acid Scrubber is a preconditioning component used in addition to a standard Neutronics Sample Conditioning Package. The Acid Scrubber removes contaminants and particulate matter that may corrode, clog, or damage the sensor or the sample conditioning package. Designed for continuous operation, the life expectancy of the filter media is dependent upon the sample flow rate and acid concentration in the sample steam.

Operation

The Acid Scrubber removes contaminants by absorption. The sample gas enters the scrubber through the diffuser tube at the top of the unit. The gas flows down through the tube and is discharged through the holes at the bottom. As the gas flows upward through the column, the scrubbing media absorbs the contaminants from the gas stream.

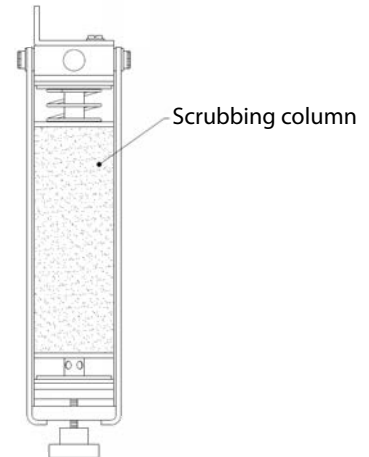
Installation

The Acid Scrubber must be vertically installed in the sample line between the process vessel and the sample conditioning package. Sufficient clearance around the scrubber is required to allow for easy access for the replacement of the scrubbing media.

Maintenance

Use of the polysulfone housing allows for visual inspection of the scrubbing media. When deposits are visible in the upper portion of the housing, the media needs to be replaced. Unscrew the thumbscrew on the bottom of the housing. Swing the yoke to one side. Separate housing and bottom cap from the top cap. Remove the spring. Remove the spent media and clean the housing. Refill the housing with the new scrubber media. Install the SS screen on top of the media and install the spring. Clean the O-Rings (replace if necessary). Place the center tube into the O-Ring seal in the top cap. Push and twist the housing to seal it around the O-Ring. Replace the yoke and tighten the thumbscrew finger tight. Do not over-tighten the thumbscrew. Over-tightening may cause the polysulfone housing to crack.

The Acid Scrubber contains no moving parts. Inspection and cleaning are required in accordance with standard preventative maintenance procedures and schedules.

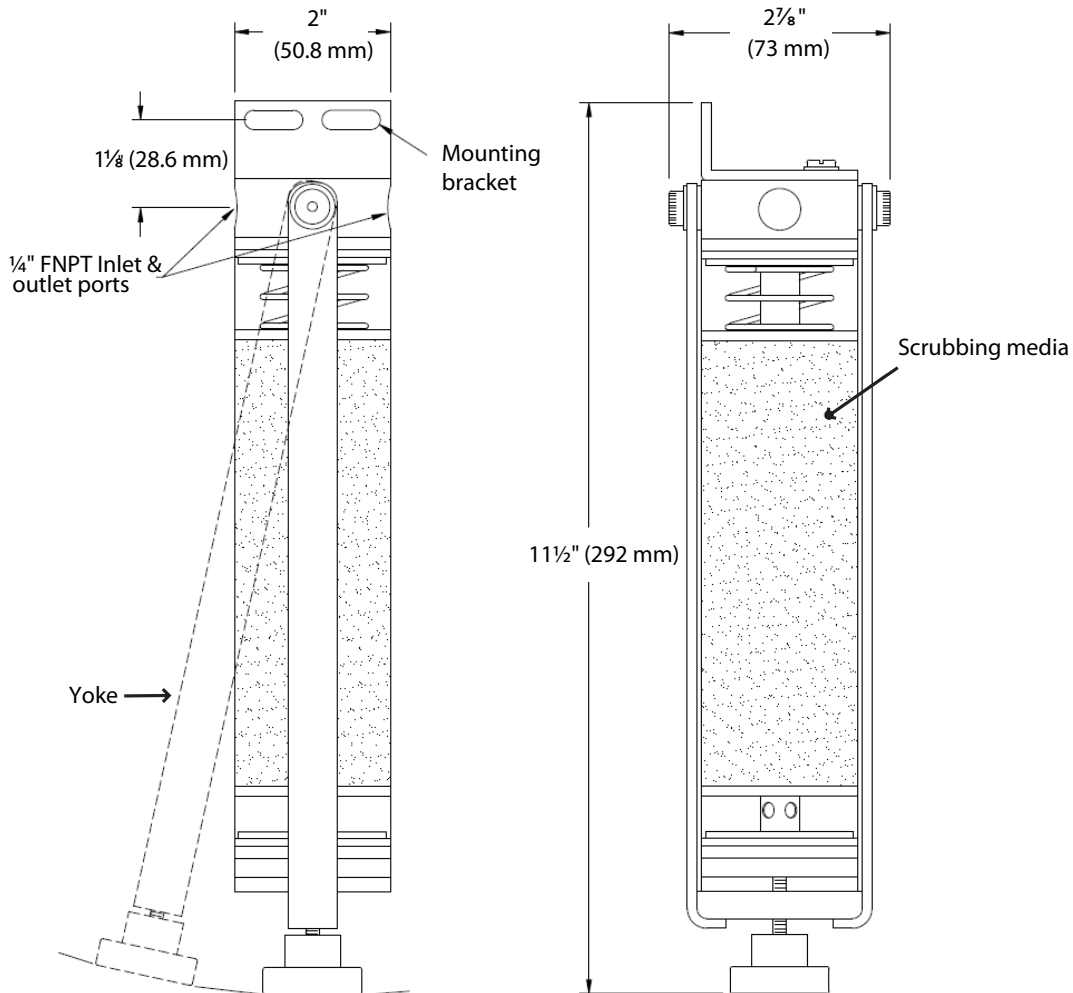


Features

- Continuously removes contaminants and corrosives from the sample gas stream
- Long life activated carbon filtering material – reduces maintenance costs and unplanned downtime
- No moving parts – simple to use
- Replaceable filtering media – easy to maintain
- Corrosion resistant materials of construction – available with a Stainless steel or polysulfone housing

ACID SCRUBBER — SPECIFICATIONS

Materials of construction	316 Stainless steel or polysulfone housing
Scrubbing media	Activated carbon
Maximum temperature	257° F (125° C)
Maximum pressure	30 PSIG
Inlet/outlet connections	1/4" FNPT



Spare parts

Part No. 4-05-2300-22-1	Scrubbing media refill kit
Part No. 4-04-4000-49-0	O-Ring seal kit

Order information

Part No. 4-05-2300-19-0	Acid scrubber	316 Stainless steel
Part No. 4-05-2300-22-0	Acid scrubber	Polysulfone



**Neutronics
Gas Analysis Solutions**
456 Creamery Way
Exton, PA 19341

Tel: 610.524.8800
Fax: 610.524.8807
Email: info@neutronicsinc.com

www.analyzegas.com

