

•
•
•
•
•

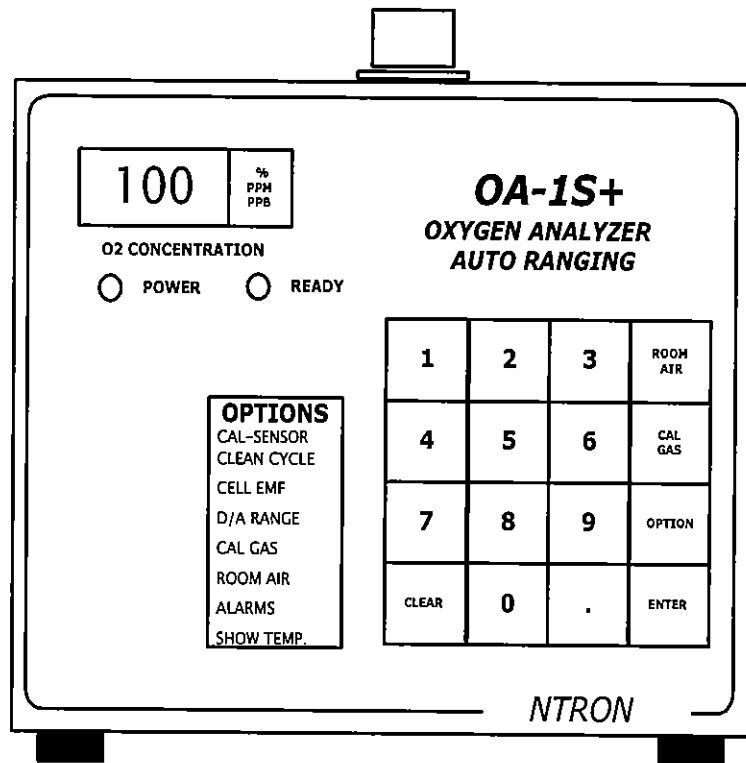
High Purity Products
Part of the NTRON Division of
Neutronics Inc
456 Creamery Way
Exton, PA. USA 19341

High Purity Products

MODEL OA-1S+

PORTABLE ULTRA-TRACE OXYGEN ANALYZER OPERATIONS MANUAL

• • • • •
• • •



Introduction

Thank you for your purchase of the OA-1S+ High Sensitivity Parts Per Billion Oxygen Analyzer.

The OA-1S+ PPB Oxygen Analyzer is a user friendly, microprocessor controlled, oxygen measuring system. It has many features to offer the user that will be described in this manual. We recommend that all personnel who use this instrument read this manual to become familiar with the instrument's operation.

If you have any questions or concerns while using the OA-1S+, please contact us.

Neutronics Inc. Customer Service Department

456 Creamery Way
Exton, PA 84119
Phone:(610) 524-8800
Fax:(610) 524-8807
www.neutronicsinc.com

SERIAL # _____

Neutronics Inc. Warranty Statement

Neutronics Inc. warrants to the original purchaser, that the Model OA-1S+ oxygen analyzer to be free from defects in material and workmanship for a period of one (1) year from the date of shipment from Neutronics Inc. or from one of Neutronics' authorized dealers. Our liability will be limited to the repair or replacement, at our factory, of parts found to be defective within the warranty period, as determined by Neutronics. The parts will be repaired or replaced free of charge if shipped prepaid to the factory in the original shipping carton. This warranty is void if the product has been subject to misuse or abuse, including but not limited to: exposure to water, humidity- temperature- shock or pressure outside of the listed specifications, or has not been operated in accordance with operating and maintenance instructions, for repairs which were not performed by Neutronics Inc. or by one of its authorized dealers, or if the identifying markings on the product label have been altered or removed.

The seller assumes no liability for consequential damages of any kind, and the buyer, by acceptance through purchase of this product, will assume all liability for the consequences of its use or misuse by the buyer, his employees, or others.

Neutronics Inc. reserves the right to use any materials in the manufacture, repair or service of the products and to modify the design as deemed suitable, in so far as these materials or modifications maintain the stated warranty.

It is the sole responsibility of the buyer / user to determine if this product is suitable for the intended application.

THESE WARRANTIES ARE EXCLUSIVE AND IN LIEU OF ALL OTHER WARRANTIES, EXPRESSED, OR IMPLIED INCLUDING WARRANTY OF MERCHANTABILITY, FITNESS FOR A PARTICULAR PURPOSE

Intended Use and Important Notes for the Application of the Model OA-1S+

The model OA-1S+ oxygen analyzer was designed to provide the trained operator with useful information relating to the concentration of oxygen. This information may be used in process control or to minimize possible hazardous conditions which may be present in various processes. Before implementation, the user must fully understand the operation and limitations of this instrument as well as the application for its use. The responsibility for the proper application, operation, and maintenance of the model OA-1S+ oxygen analyzer is the sole obligation of the trained operator. The purchaser is required to ensure operators are properly trained in the use of this unit as well as in the possible hazards associated with its

use or with the intended application. The purchaser must ensure that all of the proper warnings, labels, instruction manuals, lock outs, redundant components, hazard analysis, and system validation have been completed and provided to the trained operator before implementation of the model OA-1S+ instrument.



For Your Safety:

PLEASE

- ***READ THIS MANUAL IN ITS ENTIRETY BEFORE ATTEMPTING INSTALLATION OR OPERATION!***

Attempting to operate the Model OA-1S+ without fully understanding its features and functions may result in unsafe conditions.

- Always use protective eye wear and observe proper safety procedures when working with pressurized gases.
- Always assure the pressure of gas entering the Model OA-1S+ is 25 to 60 psig.
- Always calibrate the Model OA-1S+ at an equivalent pressure and flow rate to the measured gas.
- Always allow the Model OA-1S+ sensor to cool down before attempting to access the sensor.
- Ensure the MODEL OA-1S+ has been properly calibrated before use.
- Never expose the analyzer chassis or sensor to water, high humidity or moisture. The analyzer chassis is not watertight.
- Never expose the MODEL OA-1S+ to flame or high temperatures.
- Never expose the MODEL OA-1S+ directly to unregulated gas lines, cylinder gas, etc.
- Ensure the analyzer unit is mounted in an area of free air flow to prevent the chassis from exceeding the operating temperature specifications. Do not set the analyzer against hot surfaces. Do not block the ventilation louver on the analyzer chassis.

COPYRIGHT NOTICE:

Copyright © 2001 Neutronics Inc.
This work is protected under Title 17 of the US Code and is the sole property of Neutronics Inc. No part of this document may be copied or otherwise reproduced, or stored in any electronic information retrieval system, except as specifically permitted under US copyright law, without the prior written consent of Neutronics Inc.

Table of Contents

Specifications

Chapter 1 Basic Principles of Operation	1
Description	
Theoretical Basis	
System Components	
The Sensor and Sampling System	
Electronic/Display System	
Furnace/Heater	
Sampling System	
Chapter 2 Installation and Start-Up	5
Installation and Hook-up	
Start-Up	
Special Situations	
Chapter 3 Operation	7
Display	
Optional Modes	
Calibration Mode	
Clean Mode	
Display Cell EMF	
List Analog Output Range	
Set the Calibration Air Partial Pressure Value	
Set the Cal Gas Partial Pressure Value	
Set Alarm Values	
Display the Temperature	
Communications Interface	
Serial Interface using MICRODOFT WINDOWS Hyperterminal	
Chapter 4 Calibration	12
Chapter 5 Analog Output	14
Chapter 6 Alarm Functions	15
Dry Contact Closures	
Chapter 7 TroubleShooting	17
Error Codes	
Parts List	19
Maintenance	20
Sensor Signal Output Reference Chart	21

Changes may be made to this manual and to the specifications of the OA-1S+ PPB Oxygen Analyzer without notice.

Specifications

Dimensions	9.15" High x 9" Wide x 13.55" Long (232 mm x 229 mm x 344 mm)
Weight	8.5 lbs. (3.9 Kg)
Operating Conditions	Ambient Temperature: 0 to 122 ° F (0 to 50 ° C) Relative Humidity: 0 to 90% (Non-Condensing).
Range	Auto-ranging between .01 PPB to 99.9% O ₂ . Operator does not need to select the range. Indicator light specifies whether the reading is in percent , PPM or PPB.
Accuracy	1 to 100 PPB +/- 5% of reading 101 to 999 PPB +/- 2% of reading 999 PPB to 99.9 % +/- 2% of reading
Response Time	
Change response	>90% of step change in 5 seconds at 1 liter/min. sample flow rate.
Recovery Time	From Room Air To .1% <5 sec. 1 PPM ~5 min. 1 PPB < 30 minutes
Operations	Pressure = 25 to 60 psig regulated Flow rate = 1-5 standard liters/min.
Warm-up Time	Approximately 20 minutes
Power Supply	115/220 VAC +/- 20% 50 to 60 Hz Single phase
Outputs	3-digit LED Display RS-232 Computer communications of the following data: Percentage, PPM, PPB, cell temperature, cell voltage, high/low alarm. Full bi-directional control. Analog Output - Auto-ranging or operator may select ranges. 0 to 1 +/- .5% VDC @ 10K input impedance minimum and a non-isolated 4 to 20 +/- 1% mA current output. Loop is powered by OA-1S+, negative ground.
Hi/Lo Alarms	Operator selects high and low set-points with option key.
Contact Relays	Two available, 5 Amp @ 220 VAC rated.
Sampling System system	316 S.S. electropolished fittings and tubing. Orbitally welded With VCR connections.

Note: Neutronics, whose policy is one of continuous improvement, reserves the right to change specifications without notice.

CHAPTER 1

Description

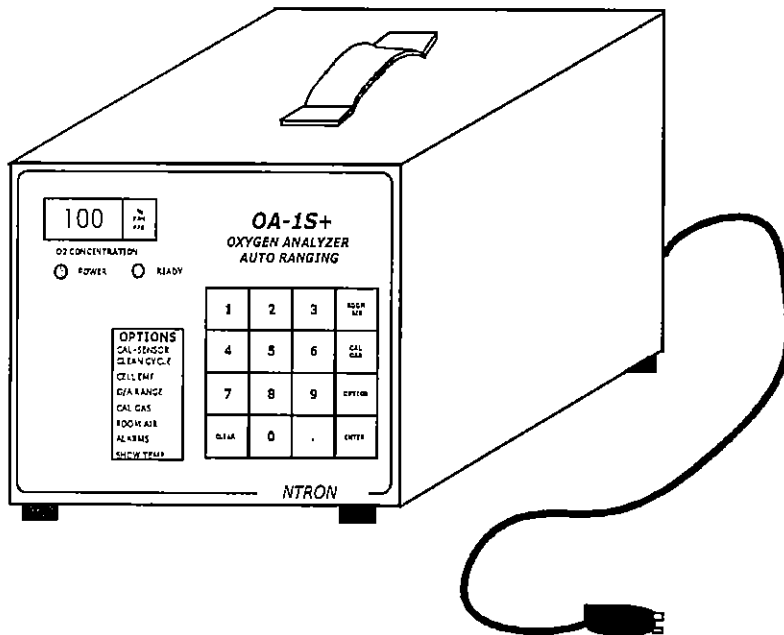
The Model OA-1S+ is a microprocessor based portable instrument intended to accurately measure oxygen in the range of 100% to 0.01 PPB. At the heart of the OA-1S+ is the Neutronics Inc. exclusive **Rapid Response Zirconium Oxide Sensor**. Because the sensor is a solid state device, it offers many unique advantages over other sensor technologies.

- Ø Rapid response: from air to PPB in seconds!
- Ø Wide measurement operating range: 100% to PPM to 0.01 PPB
- Ø Immune to oxygen shock: can be exposed to air and within seconds read PPB
- Ø Unaffected by position or motion
- Ø Can be exposed to a wide range of operating gas temperatures
- Ø Long Life (5-10 years expected) Low maintenance: no regular service required

The OA-1S+ offers two displays: a large LED digital display of oxygen concentration and a Dot Matrix display to guide the user through modes of operation and diagnostics. The OA-1S+ also offers a state of the art microprocessor based electronics with user friendly software interface via an easy to use keypad.

The Model OA-1S+ operates on 110/220 VAC 50/60 Hz. Power source. A power cord is provided for connection into a standard U.S. socket.

To better understand the operation and maintenance of the Model OA-1S+ oxygen analyzer, please read this manual in its entirety.



Principles of Operation

Theoretical Basis

The sensor used in the OA-1S+ PPB Oxygen Analyzer is made of the solid state oxygen ion conducting (electrolyte) zirconium oxide. Due to oxygen vacancies in the ceramic lattice, at temperature over 450 degree Centigrade, oxygen ions are mobile in the solid material. It is this property that enables the measurement of oxygen in a gas of unknown composition. When two gases of differing oxygen concentrations are on opposite sides of a zirconium oxide membrane, each side with a conductive (platinum) electrode material, a DC voltage is generated that is a function of the difference in oxygen concentration. In practice, one side of the membrane is a known reference gas, typically air, and the opposite side is the unknown sample gas to be measured. In 1899 Nearnst defined the relationship between the measured voltage and the unknown oxygen concentration:

$$E = (RT/nF) \ln(P1/P2)$$

Where:

E is the measured voltage.

R universal gas constant 8.314 joule/mole °K.

T is the temperature in °K.

n is number of electrons transferred.

F Faraday's constant 96,500 coul./mole.

P1 - Oxygen partial pressure in air reference (20.9% O₂).

P2 - Oxygen partial pressure in sample gas.

Using this relationship, the unknown oxygen concentration can be determined by simply measuring the voltage across the cell. Once the sensor is heated to a temperature of 725°C, the voltage is measured, and the oxygen concentration information is sent to the display and other outputs. The instrument is calibrated using air and a low level calibration gas for improved accuracy. This calibration corrects for small effects of non-ideal sensor behavior.

Due to the high operating temperature and use of platinum electrode, the presence of reducing agents such as hydrocarbons, carbon monoxide, hydrogen etc. interferes with the measurement of oxygen. The analyzer will display lower than actual oxygen concentration in the presence of reducing agents.

(For example: 2 H₂ plus 1 O₂ forms 2 H₂ O and thus reduces the O₂ the analyzer reads by a ratio of 0.5 for every 1 H₂ molecule. 2CO plus 1O₂ forms 2CO₂ which also reduces O₂ 0.5 for every 1 CO molecule. Data shows that hydrocarbons reduce O₂ by 0.1 for every hydrocarbon molecule.)

Caution should be taken to use the OA series analyzers to measure inert gases only. **Do not attempt to measure gases containing sulfur gases like H₂S**. The sulfur reacts with the platinum electrode to form platinum sulfide. This reaction degrades the electrochemical properties of the sensor.

System Components

The four basic components in the analyzer are described below and shown in Figure # 1.

Sensor

The solid electrolyte (Zirconium Oxide) electrochemical sensor consists of a closed end ceramic (Zirconium Oxide) tube coated inside and outside with two porous platinum electrodes. When heated above 600°C ionic conductivity of the Zirconium Oxide becomes high enough to generate a voltage as described by the Nernst equation. The outside electrode is exposed to air and acts as a reference. The sample gas flows inside the tube and the inner electrode acts as the sensing electrode.

The sensor measures oxygen partial pressure and the voltage output is affected by the change in total pressure. To reduce sensor error, maintain the outlet at approximately ambient pressure.

The sample gas flow into the analyzer is controlled at a rate on 1 to 5 liter(s)/minute by two orifices: one at the sample inlet port and the second at the sensor. The first steps down the total pressure into the OA1S+. The second orifice steps is downstream of the first and is used to step-down the final pressure to the sensor.

The outlet must be maintained at approximately ambient pressure to insure sensor accuracy. The sensor is constructed using a ceramic syringe which injects the sample into the inner electrode. Sample input and exhaust ports are male VCR ports welded into a common manifold.

Electronics/Display System

The microprocessor-based system controls the operation of the OA-1S+ PPB Analyzer and displays relevant information. It consists of a CPU board, an Analog board, a Power Supply board and a user interface board with LED display, LCD display, and a control key pad.

Furnace/Heater

This is the metal box within the instrument which is an electrical resistance heater. It heats the electrochemical ceramic sensor to the operational temperature of 725°C. It also has a type K thermocouple to sense temperature for controlling the furnace.

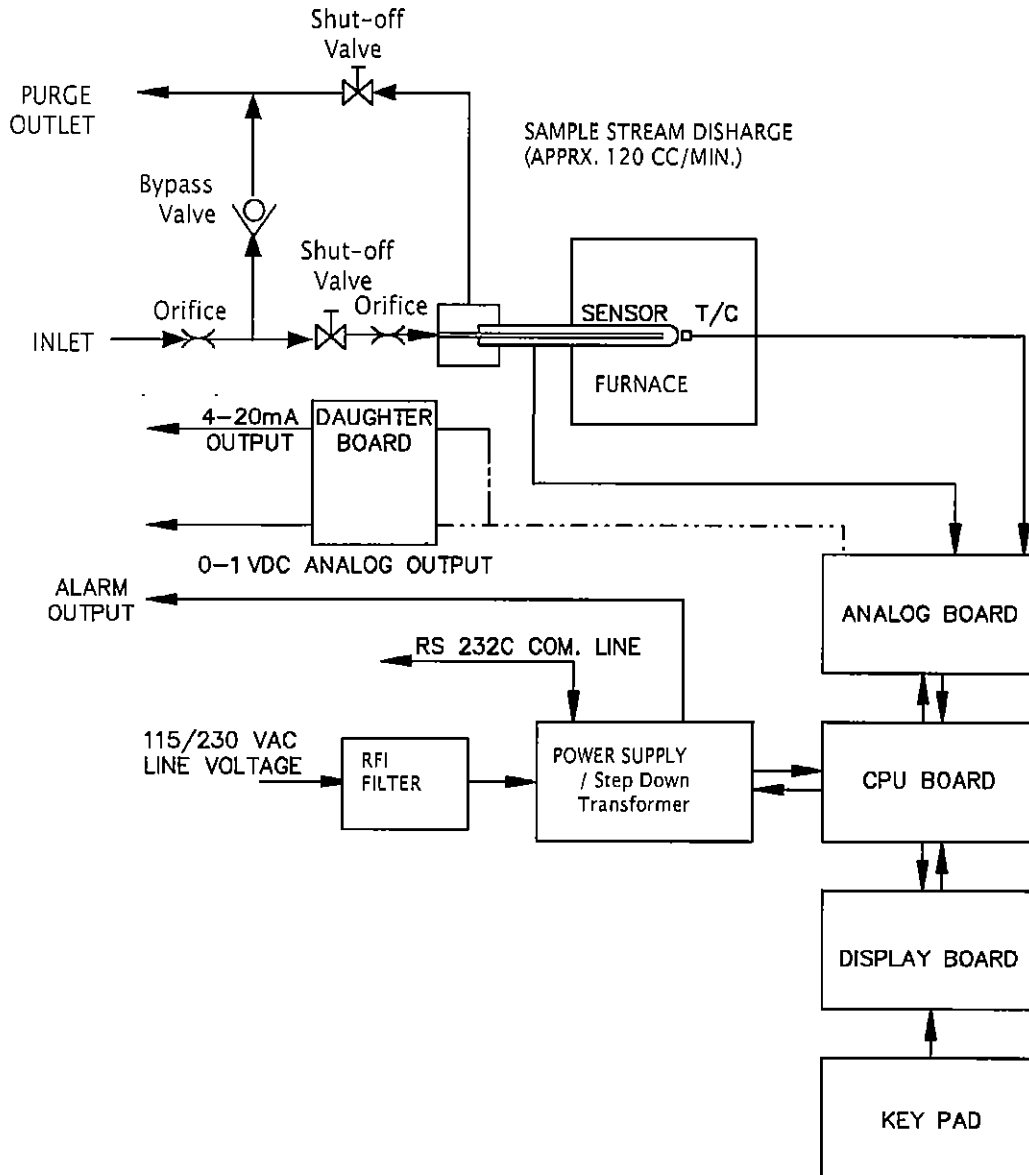
Sampling System

The sample system is composed of electropolished 316 S.S. tubing with orbitally welded and VCR connections. This system consists of a pressure release bypass valve which controls system back pressure and a fixed orifice through which a sample stream flows to the zirconia sensor. Gas released by the bypass valve exhausts through the outlet fitting, while the sample stream (approximately 120 cc/min) rejoins the bypass exhaust and is discharged through the exhaust bulkhead fitting at the back of the analyzer.

Two Nupro ¼ turn diaphragm sample locking valves are incorporated into the sample system to maintain trace level O₂ gas within the sensor loop. This feature enhances the analyzers ability to read trace levels of O₂ after disconnecting, moving, and reconnecting the analyzer between multiple measurement points.

OA-1S+ PPB O₂ ANALYZER SYSTEM CONFIGURATION

Figure 1



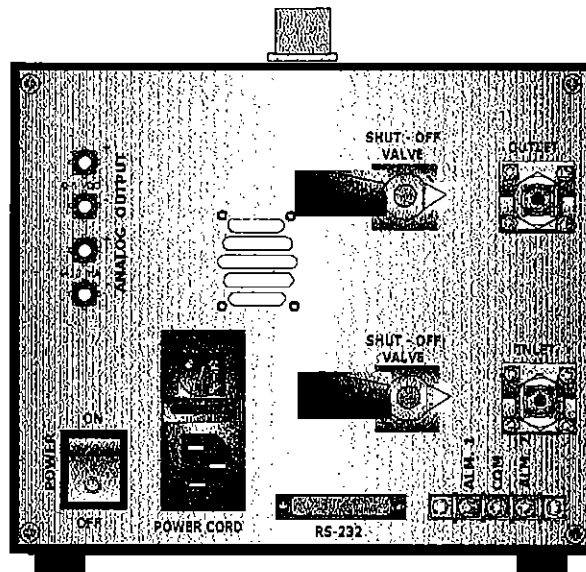
CHAPTER 2

Installation and Start-up

Installation

The OA-1S+ Oxygen Analyzer is a completely self contained instrument. The only requirement to operate it is a source of power. Set selector switch on the rear of the unit to the 110 setting for 120 VAC \pm 20%, or the 220 setting for 220 VAC \pm 20%. This analyzer has been designed for analyzing O₂ in clean gases that contain no hydrocarbon or CO components. (contact factory for instructions on changing voltage)

The OA-1S+ Oxygen Analyzer utilizes 1/4 inch orbitally welded 316 S.S. tubing with Cajon[®] fittings and connections throughout the system. Inlet and outlet ports are located as shown in Fig 2. The ports are 1/4 inch male VCR fittings and connection must be made using the mating 1/4 inch female VCR fitting. Gas inlet flow requirements are 1-5 standard liter(s)/minute at 25 to 60 psig pressure. A pressure regulator must be installed into the inlet line if sample pressures outside this range are expected.



OA-1S+ REAR PANEL **FIGURE 2**

Start-up

When the instrument is connected to power and turned on, the green POWER indicator light illuminates, the electronic display illuminates, and the LED display counts up to test the LED segments.

The warm-up time before the instrument is operational is approximately 20 minutes.

As the analyzer is warming up, the green READY light flashes and heater temperature is shown on the LED display. The secondary display reads *OVEN WARMING UP*. *When the sensor temperature reaches the operating range, the secondary display reads "OVEN STABILIZING"*. When the sensor temperature has stabilized the READY light stops blinking and remains in a steady on state. O₂ concentration is shown on the LED display with the appropriate range light illuminated (% , PPB).

Special Situations

When attempting to measure gases with oxygen concentrations of less than 10 PPB, the user must carefully evaluate the entire system including the analyzer AND all external components such as gas plumbing, regulators, etc. It is important to remember that all surfaces in contact with the gas to be measured will have some adsorbed oxygen on the surface. Purging the system with the low-oxygen inert gas to be measured will eventually clean the surfaces of adsorbed oxygen. Once cleaned, they will remain clean unless exposed to a high-oxygen gas such as air. The choice of gas line materials is very important when measuring low PPB oxygen gases. For the best results, use cleaned stainless steel tubing.

CHAPTER 3

Operation

Display

The oxygen analyzer has a three-digit LED display to show temperature and oxygen content. When the display registers oxygen content, one of the range indicators comes on. When the display reads temperature, the range indicators are off. The three digit display automatically switches to the proper range to display the oxygen concentration of the sample gas. The bottom range indicator will illuminate to show parts-per-billion range, the middle indicates parts-per-million range, and the top indicates percent range. The display automatically switches from percent to PPM when the sample oxygen concentration decreases from .1% to 999 PPM (.1% equals 1000 parts per million). The display switches from PPM to PPB when the sample oxygen concentration decreases from 1.0 PPM.

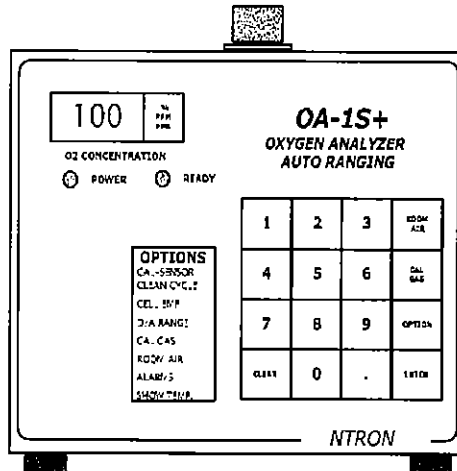


FIGURE 3

Option Modes

The OA1S+ Oxygen Analyzer has several options. These options are accessed by using the OPTION key on the keypad. The user scrolls through the options by pressing the OPTION key. Options are displayed on the secondary display during scrolling. Choices are made by pressing the ENTER key when the desired option is shown on the display. Brief descriptions of the options are printed on the front panel to the left of the key pad. The option modes are described in more detail on the next page of this manual.

Calibration Mode

The secondary display reads "Cal Sensor?". This option allows the user to recalibrate the instrument. Calibration steps are listed on the secondary display.

Clean Mode

The secondary display reads "Clean Cycle?". This option signals the device to pass oxygen from the reference side of the sensor to the measurement side. This helps accelerate the combustion of impurities that may have accumulated on the inner surface of the sensor.

Display Sensor Cell EMF Voltage

The Secondary display reads "Cell EMF?". This option lets the user see the actual voltage output of the sensor cell. This function works like a digital volt meter.

List Analog Output Range

The secondary display reads "D/A Range?". This option lets the user select the range over which the analog output(0-1 VDC and 4-20 mA) operates. The display will also read "Auto Range On" or "Auto Range Off" depending on the operators specific selection.

Set the Calibration Gas O₂ Partial Pressure Value

The secondary display reads "Cal Gas?". This option lets the user see the entered value for the calibration gas and change that value if required before calibration. This value is determined by the specification of the user's calibration gas. Accuracy of the analyzer is a function of the accuracy of the calibration gas certification. Values are entered in PPM O₂.

Set the Room Air O₂ Partial Pressure Value for Calibration

The secondary display reads "List Room Air?". This option allows the user to see what value for room air has been entered and change that value if required before calibration. Values are entered in % O₂. (normally this is 20.9%)

Set the Two Alarm Limits

The secondary display reads "Alarms?". The analyzer is equipped with the flexibility to set the alarms for high/low, high/higher, low/lower as is needed for use in specific applications. The alarm option allows the user to view the values and high/low settings that have been entered for the two alarms. When the oxygen concentration goes outside the set alarm limits, the audible alarm sounds. This option also allows the user to change alarm values and to turn the alarms on or off. Relay #1 and relay #2 energize when the analyzer detects oxygen concentrations outside the preset alarm conditions.

Show Temperature

The secondary display reads "Show Temperature?". This option signals the analyzer to display the temperature of the sensor cell heater in °C on the three digit LED display. Normal operation range is 725°C +/- 5°.

Communications Interface

The electronics; have been designed for communication with a host computer over a standard RS-232 serial interface. The host computer can inquire about temperature, oxygen concentration, sensor voltage, and other parameters. The host computer may control analyzer electronics, via the communications interface, by turning the communications line on and off. It is recommended that the communications line be turned off when not in use to speed up the analyzer's response time.

To connect to the RS-232 output:

1. For easiest installation, use a PC (Windows based computer).
2. Locate the serial port on the PC.
3. Obtain a serial printer cable, [You need a non-modem 25-pin female/male sub-D connector terminated cable. "Non-Modem means that pins 2 and 3 are reversed on each end. For the OA1S+, only 3 pins are used: pin 2=transmit, pin 3= receive, pin 7= ground.]
4. Connect one end to the PC serial port (COM 1).
5. Cut the printer connector off of the cable at the other end.
6. Identify the Transmit [XMTR], Receiver [RCV], and Ground [GND] wires. [You may have to disconnect the cable from the PC and "ohm-out" the pins versus the wire leads.
7. Install the wire leads to the model OA1S+ analyzer at the serial interface terminal blocks.
8. Reconnect the cable to the PC COM 1 port as required.
9. Power up the PC. Power up the OA1S+.
10. Access to the serial interface may be made through a terminal emulator program such as Hyper Terminal, available in Windows 98.

Procedure for RS-232 Interface using "Hyperterminal" from Microsoft Windows 95

1. From the Windows menu, select "Start".
2. Then, select "Programs".
3. Then, select "Accessories".
4. Then, select "Hyperterminal".
5. Double click on the Hyperterminal Icon.
6. Choose name "Model OA-1S+".
7. Choose code: none required.
8. Choose area code: none required.
9. Connect Using;

Direct to Serial Com 1 or Serial Com 2 (as applies)
BPS 1200 baud
Data Bits: 8
Stop Bits: 1
Parity: None
Flow Control: None

10. Click "OK"

Notes:

If serial communications has not been established with the model OA-1S+ analyzer, make certain that the PC Serial Com port is functional. This can be accomplished by jumping pins 2 and 3 on the RS-232 cable leading to the PC. To accomplish this test, disconnect the RS-232 cable from the model OA-1S+ analyzer port and insert a jumper between pins 2 and 3 on the cable connector or directly at the PC serial Com port. Then, enter a letter from the PC keyboard: push an alpha-character key and then the "enter" key. The PC monitor should display the corresponding alpha-characters as they are typed. If the alpha-characters do not echo on the monitor screen, there is a problem with the RS-232 cable, the PC serial Com port, or the Hyperterminal setup.

If the letter does echo on the monitor screen and the serial communications with the model OA-1S+ analyzer still has not been established,, then pins 2 and 3 may be reversed. First try reversing pins 2 and 3 on the RS-232 cable connector. Then go back to the beginning of step 1 and try again. If the model OA-1S+ analyzer still does not re-boot, call the Neutronics Inc. Service Department for further assistance.

NOTE!!

If a computer is on line with the analyzer, a restart may be accomplished either by sending the analyzer a Ctrl-C instruction from the computer or by turning the analyzer off and then on.

The demands are:

Letter	Command	Format	Limits Min	Limits Max	Units
A	Send Software Version	x.xx	1.00	9.99	na
C	Send Unit Configuration	x	0	3	Note 1
D	Send Sensor Reading PPB	xxxEsx	001E-3	999E+3PPB	
E	Send Sensor Reading %	xxxEsx	0.1	99.9	%
F	Send Oven Temp	xxx	000	999	° C
G	Send Sensor Voltage	sxxxEsx	-999E-3 to	+999E-3	Volts
H	Send Error Number	xx	00	02	Na
X	Enable/Disable Comm	X=enable x=disable	na	na	
Z	Send Error Message	X	na	na	alphanumeric

Note 1 = bit 0: 0=torr, 1=PPB bit1: 0= air reference, 1= absolute reference

The communications Interface operates at 1200 Baud, 8 data bits, 1 stop bit, no parity. To operate the interface, the host sends an ASCII command letter to the analyzer. The host computer then waits for the analyzer to respond. The analyzer responds no later than 1.0 seconds after it receives the command letter. All responses are terminated with a carriage return. Use the "X" command to start continuous communication. O₂ concentration, in PPB with 1 decimal place (10.5 = 10.5PPB), will be sent out the RS-232 to the host terminal every 1.5 seconds. To end the communication, send "x" (small letter x). The default at power up is communication off.

When an alarm is activated, the analyzer sends, to the remote computer, either an "H" if the oxygen concentration is above a High alarm setting, or an "L" if the oxygen concentration is below a Low alarm setting. Alarm characters are also terminated with a carriage return and are sent once per second as long as the alarm condition persists. If the analyzer receives a command while the alarm is active, the alarm character is sent first followed by the command response.

CHAPTER 4

Calibration

The OA1S+ Oxygen Analyzer is calibrated at the factory at a flow rate of 1 liter/min. It is important to calibrate the device at your facility to compensate for atmospheric pressure variation between the point of manufacture and the end use site. After completion of the calibration sequence, the display readout will correspond to the cylinder analysis of the user's certified calibration gas.

Temperature

The Analyzer thermocouple is completely factory calibrated before shipping and requires no calibration when received.

Sensor

To calibrate the zirconium oxide sensor, two reference points are required. The recommended calibration procedure is to use compressed air and a calibration gas near your range of operation, as the two reference points.

It is important to remember that the calibration will only be as accurate as the certification of the reference gas you use.

The calibration sequence is semi-automatic. This means that the electronics adjust the offset and gain, rather than requiring the user to adjust potentiometers. The user must flow gases as indicated by the secondary display and push either the Room Air or Cal Gas buttons when the reading is stable. This is two stage process that does not require repetition for both room air and calibration gas.

See next page for detailed step by step Calibration Instructions.

NOTES:

It is best to calibrate the OA1S+ Oxygen Analyzer at an identical flow rate for both calibration gases and at the expected sample gas flow rate.

We recommend calibrating with room air first. When directed to "Flow 20.9% Gas" (on secondary display), flow the room air from a small oil free compressor or a compressed air cylinder. **IT IS IMPORTANT TO ALLOW THE READING TO STABILIZE** before the ENTER key is pressed to complete the calibration sequence.

Repeat this process using the low end O₂ concentration calibration gas to complete the two point calibration. Flow the calibration gas from a cylinder of certified gas into the analyzer, **ALLOW THE READING TO STABILIZE**, and press the ENTER key to complete the calibration.

STEP BY STEP CALIBRATION INSTRUCTIONS FOLLOW:

Step One: Be sure that the OA1S+ Oxygen Analyzer has been warmed up for approximately 20 minutes before attempting calibration.

Step Two: Be sure the correct values for both Room Air and Calibration Gas are entered in the device memory. Values may be viewed and changed if required by pressing the ROOM AIR or CAL GAS key. The current value appears on the secondary display with directions to "Press 1 To Change Value" or "Press Any Other Key To Accept" the current value.

An alternate method to view and/or change the Room Air and Calibration Gas values is to press the OPTION key until "Cal Gas?" or "Room Air?" appears on the secondary display. Press the ENTER key to view. The current value appears on the secondary display with directions to "Press 1 To Change Value" or "Press Any Other Key To Accept" the current value.

Calibration gas and room air values may also be entered during the calibration sequence. "Press ROOM AIR or CAL GAS to Begin Cal". Once the ROOM AIR or CAL GAS key has been pressed, the current value is displayed on the secondary display with instructions to "Press Enter to Start Cal" or "Press 1 to Change Gas Value" or "Press Any Other Key to Exit". The user may accept or change values during this sequence.

Step Three: Press the OPTION key until "Cal Sensor?" appears on the secondary display. Press ENTER to begin the calibration sequence. "Calibration Mode" will appear on the secondary display with instructions to "Press ROOM AIR or CAL GAS to Begin Cal".

Once the ROOM AIR or CAL GAS key has been pressed, the secondary display reads "Room Air Cal" or "CalGas Cal" and "Press Enter to Start Cal". The user is then instructed to flow the appropriate calibration air or gas and "Press Enter to Start Cal Cycle". Press ENTER to initiate the calibration sequence. The adjustment factors are calculated and are displayed as "Gain" and "Offset".

The secondary display will then say "Cal Completed" and will display the initial calibration level of "Room Air Cal" or "CalGas Cal" that was chosen by the user. Repeat above procedures on the second calibration gas to complete two point calibration. Press any key to exit to the initial "Calibration Mode" display and press any key to exit options. Calibration should be complete and the analyzer will be ready to measure the user's sample gas.

NOTE: If the air or calibration gas flowed during the calibration sequence is not what is entered into the analyzer for O₂ content value (outside +/- 25% of expected value), the secondary display will read "Calibration Fail Check Gas". This function is designed to safeguard against calibrating with a gas that has a different O₂ content than what is certified. (For Example: Message will appear if 10 ppm is entered as the cal gas value and yet the analyzer reads 100 ppm based on the mV potential and theoretical calculated O₂ content).

CHAPTER 5

Analog output

The OA1S+ Oxygen Analyzer is equipped to output oxygen readings via an analog output through two sets of analog output posts on the rear panel of the unit. Available analog outputs are 0-1 VDC, and 4-20 mA*. Range values are set to Auto-Range. The user, however, may disable the Auto-Range feature and set the ranges as needed for specific applications. See figure 2 for the location of the posts.

Instructions

- Step 1:** Press the OPTION key until the message "D/A Range?" appears on the secondary display. Line 2 of the secondary display will read "Auto-Range On".
- Step 2:** Press ENTER to activate this feature. The display shows the current O₂ concentration values in PPM O₂. 0 volts is set for 0 O₂ concentration and the set value for the 1 volt end point will be displayed (with 10 PPM displayed, 0-1 VDC = 0-10 PPM O₂).
NOTE: (1ppm = .0001%).
- Step 3:** Press ENTER to save the current value. "Press 1 to Change the Value" (to change the value of the 1 volt end point). "Press Clear to Vary Auto-Range" (to toggle between Auto-Range on/off).

NOTE: 4 and 20 mA outputs correspond to 0 and 1 VDC outputs respectively. Both analog outputs will automatically range with the front panel display. In the 0-100 ppm range the 1 VDC and 20 mA levels will represent 100 ppm. In the 0-.1% range 1 VDC and 20 mA levels will represent .1%.

When the analyzer is in "Auto-Range" option, line 2 of the LCD display will read "Auto-Range On". The auto-range function is controlled by pressing the CLEAR key.

The secondary display will toggle between "Auto-Range On" and "Auto-Range Off" indicating which mode the analog output is set to. The default setting is "Auto-Range On".

* 4-20 mA analog board is non-isolated.

The analog output is calibrated at analyzer start up. During the calibration sequence the user has the option to recalibrate the analog output. This is a self calibration operation if chosen.

CHAPTER 6

Alarm Function

Set the Two Alarm Limits

The OA-1 Oxygen Analyzer has an audible alarm system which also controls contact closures for integrating this alarm function into a customer's process control system. The audible alarm sounds when the oxygen concentration goes outside the preset alarm set points.

The secondary display reads "Alarms?". The analyzer is equipped with the flexibility to set the alarms for high/low, high/higher, low/lower as is needed for use in specific applications. The alarm option allows the user to view the values and high/low settings that have been entered for the two alarms. When the oxygen concentration goes outside the set alarm limits, the audible alarm sounds. This option also allows the user to change alarm values and to turn the alarms on or off. Alarm contact relay #1 and relay #2 are located on the back panel and will energize when the analyzer detects oxygen concentrations outside the preset alarm conditions.

Instructions

Step 1: Press the OPTION key until the message "Alarms?" appears on the secondary display. Line 2 of the secondary display reads "Enter or Option" instructing the user to press enter to engage the alarm set option.

Step 2: Press ENTER. Line 1 of the secondary display reads "Set Alarms" and line 2 reads "Press 1 to Change Alarm #1 or Press 2 to Change Alarm #2 or Press Enter to Accept the Current Setup".

NOTE: As is described above, the analyzer alarms can be set to alarm in the high/low, high/higher, or low/lower modes as is required for a user's specific application. While in the alarm set option, press 1, 2 or ENTER to view and/or change the alarm settings.

Step 3: If a change to the alarm settings is desired, press 1 or 2 to set alarms #1 or #2 respectively. Press ENTER to save the current alarm settings if no changes are required.

NOTE: The following scenario will be described for setting alarm #1 to a low setting. If other scenarios are required specific to a user's application, follow the same procedure and tailor the alarm settings to the specific application need.

Step 4: Press 1 to change alarm #1. Line 1 of the secondary display shows the "Alarm is Low (or high)". Line 2 shows current alarm value and instructs the user to "Press 1 to Vary High/Low, Press CLEAR to Vary On/Off, Press 2 to Change Value or Press ENTER

to Accept Setup" and then shows the alarm status as On or Off. Make the desired selection, view current settings, and change as is needed and press ENTER to accept the setup.

Step 5: Repeat as is required for alarm # 2.



CHAPTER 7

Trouble-Shooting

In some cases problems can be easily diagnosed and corrected. In other cases problems will require the user to return the analyzer to the factory for repair. Contact the customer service department identified at the front of this manual with any questions or when uncertainty arises.

Problem 1: Display reads too high.

Cause: Upset system condition indicates gas source contamination or gas delivery system integrity failure. Check gas source. Check gas delivery system for leaks.

Cause: Improper calibration. This can be checked by flowing a certified gas through the analyzer to compare the reading with the O₂ concentration documented on the gas certification tag. If needed, recalibrate the analyzer as described in Chapter 4.

Problem 2: Display reads too low.

Cause: Reducing gas contamination (CO, H₂, or hydrocarbons) in the sample gas will lower the O₂ concentration readout of the analyzer. These reducing gases will combine with the free oxygen in a sample gas in the high temperature (725° C) environment that the sensor operates. The result is a lower free oxygen concentration readout on the analyzer LED output. The presence of a significant amount of a combustible gas such as CO, H₂, or any hydrocarbon component relative to the O₂ component in the sample gas will cause the display to read lower than actual oxygen concentrations.

Cause: Improper calibration (See Cause #2 under Problem #2).

Problem 3: Erratic or intermittent display or continuous beeping.

Cause: If line power has been temporarily interrupted, the analyzer will restart itself. During this period the display reads "000".

Cause: Failure of an electronic component. It is always possible for a component to fail and render the analyzer inoperable. While the Neutronics Inc. Oxygen Analyzer has been designed with rugged components, the possibility of failure is always present. In the event of component failure, we suggest the device be returned to the manufacturer's facility for repairs.

ERROR CODES FOR VERSION 1.20 FIRMWARE

Error conditions in the analyzer are reported in two ways. First the error is displayed on the front panel LCD and also logged in the computer's memory. The information in the memory can be retrieved via the RS232 port using the "Z" command. Following is a list of the errors that may be experienced by the system:

<u>ERROR</u>	<u>LCD DISPLAY</u>	<u>ERROR LOG</u>	<u>SYSTEM HALT</u>
1	OFFSET CAL ERROR 0	CALIBRATION FAILURE DAC CHANNEL 0	NO
	Definition: The microprocessor was unable to adjust the offset of DAC channel 0 to within 50 uV of 0V.		
	GAIN CAL ERROR 0	CALIBRATION FAILURE DAC CHANNEL 0	NO
	Definition: The microprocessor was unable to adjust the gain of DAC channel 0 to within 50 uV of 0V.		
2	OFFSET CAL ERROR 1	CALIBRATION FAILURE DAC CHANNEL 1	NO
	Definition: The microprocessor was unable to adjust the offset of DAC channel 1 to within 50 uV of 0V.		
	GAIN CAL ERROR 1	CALIBRATION FAILURE DAC CHANNEL 1	NO
	Definition: The microprocessor was unable to adjust the gain of DAC channel 1 to within 50 uV of 0V.		
3	ERROR 3 HALT	ANALOG FAILURE ZERO = *	YES
	Definition: The microprocessor detected the zero volt reference voltage on the analog board to be greater than or less than 7 uV. * = the value read.		
4	ERROR 4 HALT	ANALOG FAILURE VREF = *	YES
	Definition: The microprocessor detected the +2.5 volt reference voltage on the analog board to be greater than or less than mV. * = the value read.		
5	ERROR 5 HALT	OVEN OVERTEMP AT POWER UP	YES
	Definition: The microprocessor detected a temperature greater than 800 °C after analyzer start or restart.		
6	ERROR 6 HALT	OVEN TEMPERATURE NOT INCREASING DURING START UP	YES
	Definition: The microprocessor failed to see the temperature increase normally after analyzer start or restart.		
7	ERROR 7 HALT	OVEN OVER TEMP WHILE STABILIZING	YES
	Definition: The microprocessor detected a temperature greater than 800 °C during stabilization.		
8	ERROR 8 HALT	TEMPERATURE TOO LOW DURING OPERATION *	YES
	Definition: The microprocessor detected a temperature lower than 700 °C during operation. * = the temperature read.		
9	ERROR 9 HALT	TEMPERATURE TOO HIGH DURING OPERATION *	YES
	Definition: The microprocessor detected a temperature greater than 780 °C during operation. * = the temperature read.		
10	ERROR 10 HALT	THERMOCOUPLE OR HEATER FAILURE	YES
	Definition: The microprocessor detected an uncontrollable heater or thermocouple due to unstable readings from the oven.		

When an error described above halts the system, a soft restart can be initiated by pressing the CLEAR key on the front panel key board.

OA-1S+

Spare Parts List

Neutronics
Replacement Part

Sensor
Sensor Replacement Kit

Furnace
Furnace
Thermocouple

Miscellaneous
Power Cord
Fuse

Maintenance

	Upon Commissioning Unit	At Least Every 6 months	Whenever the O2 Reading is Suspect	As Required
Calibrate on certified span gas	<input type="checkbox"/>	<input type="checkbox"/>	<input type="checkbox"/>	<input type="checkbox"/>
Set alarm points and analog output scales	<input type="checkbox"/>			<input type="checkbox"/>
Replace Sensor				<input type="checkbox"/>
Replace Furnace				<input type="checkbox"/>
Check Alarms and analog outputs	<input type="checkbox"/>			<input type="checkbox"/>
Initiate Clean Cycle			<input type="checkbox"/>	<input type="checkbox"/>

REFERENCE CHART FOR USE WITH:
 NEUTRONICS INC.ZIRCONIUM OXIDE OXYGEN ANALYZERS
 SENSOR VOLTAGE vs OXYGEN CONCENTRATION ACCORDING TO THE NERNST EQUATION
 (Within Analyzer Calibration)

SENSOR VOLTAGE POTENTIAL (in Mv)	PERCENT OXYGEN CONCENTRATION	PPM OXYGEN	PPB OXYGEN
0.0	20.90%	209,000	209,000,000
15.8	10.00%	100,000	100,000,000
30.7	5.00%	50,000	50,000,000
65.3	1.00%	10,000	10,000,000
80.2	0.50%	5,000	5,000,000
114.8	0.10%	1,000	1,000,000
129.7	0.05%	500	500,000
164.3	0.01%	100	100,000
179.2	0.005%	50	50,000
213.8	0.001%	10	10,000
228.7	0.0005%	5	5,000
263.3	0.0001%	1	1,000
278.2	0.00005%	0.5	500
312.8	0.00001%	0.1	100
327.7	0.000005%	0.05	50
362.3	0.000001%	0.01	10
377.2	0.0000005%	0.005	5
411.8	0.0000001%	0.001	1
426.7	0.00000005%	0.0005	0.5
461.3	0.00000001%	0.0001	0.1
476.2	0.000000005%	0.00005	0.05
510.8	0.000000001%	0.00001	0.01

TEMPERATURE TEMPERATURE
 IN
 CENTIGRADE
 725

TEMPERATURE
 IN
 KELVIN (ADD 273)
 998

IN
 FAHRENHEIT
 1337

Nernst Equation

The following is a break down of the Nernst Equation:

$$E = (RT/NF)\ln(P1/P2)$$

E is measured sensor voltage
R = 8.314 joule/mole °K
T = 725°C + 273.2 = 998.2°K
N = 4 electrons transferred
F = 96,486 coulomb/mole
P1 = 20.9% = 209,000 PPM = 209,000,000 PPB
P2 = O₂ concentration in sample gas.

Solve Nernst Equation for P2 when sensor voltage is known:

$$\begin{aligned} ENF/RT &= \ln(P1/P2) \\ \text{Exp}^{\ln(P1/P2)} &= \text{Exp}^{(ENF/RT)} \\ P1/P2 &= \text{Exp}^{(ENF/RT)} \\ P2 &= P1/\text{Exp}^{(ENF/RT)} \\ P2 &= P1 \times \text{Exp}^{-(ENF/RT)} \end{aligned}$$

Example at 10 PPB where theoretical voltage is 362.3 mV = .3623 V:

$$\begin{aligned} NF/RT &= (4 \times 96486) / (8.314 \times 998.2) = 46.504685 \\ ENF/RT &= .3623 \times 46.504685 = 16.84865 \end{aligned}$$

$$\begin{aligned} P2 &= P1 \times \text{Exp}^{-(ENF/RT)} \\ &= 209,000,000 \text{ PPB} \times \text{Exp}^{-(16.84865)} \\ &= 209,000,000 \times .0000000482 \\ &= 10.066 \text{ PPB} \end{aligned}$$